

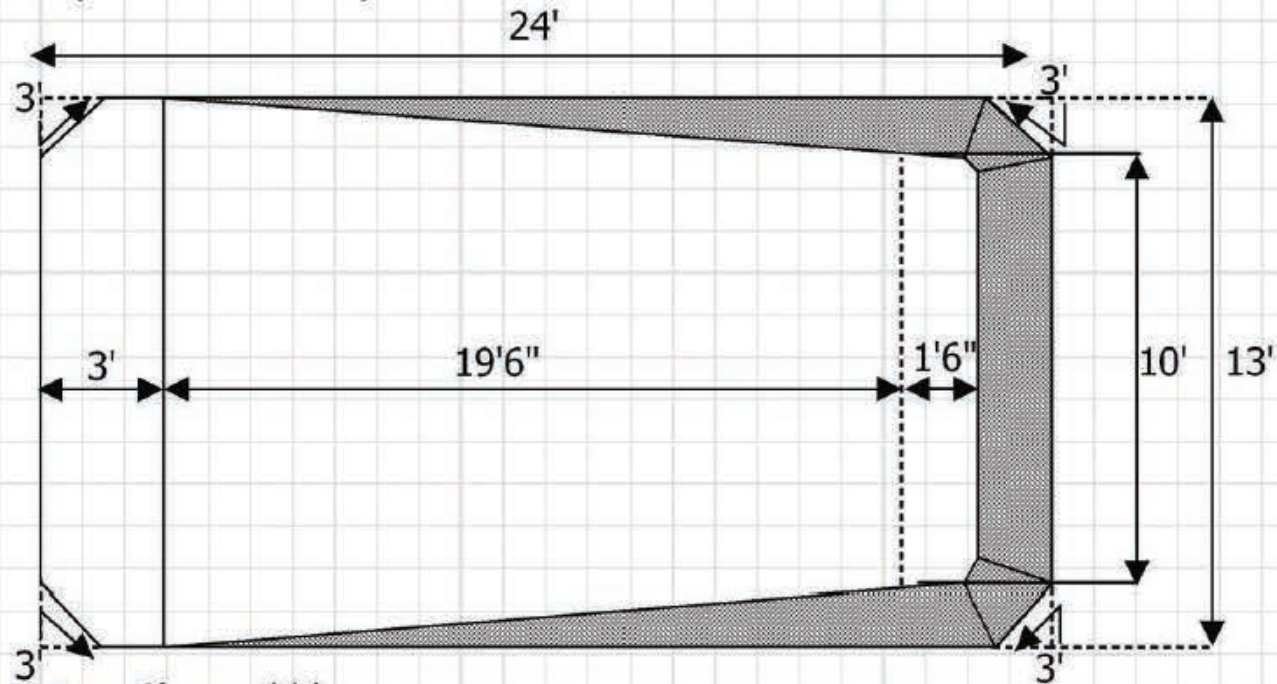


Jamaican Dig Diagram

It is important to have your excavator call to review the dig diagram prior to any excavation(1-800-305-5931)

Pool Specifications

Length: 23'
 Width: 12'
 Depth: 3'7" - 5'4"
 Perimeter: 65'
 Square Footage: 242 Sq. Ft.
 Capacity: 6,500 Gallons
 Material: Fiberglass

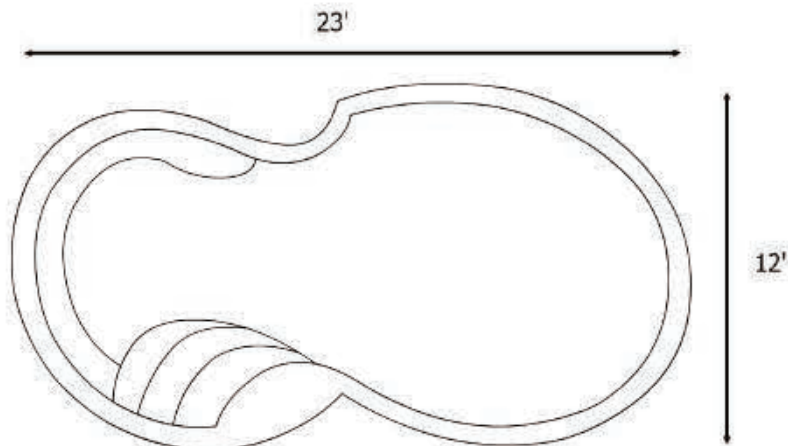


*** Approximate Dimensions Shown ***

Materials Needed

Block 8x8x16: 5
 Block Caps: 3
 4x4x8: 1

Outside Dimensions



Depth Chart

