

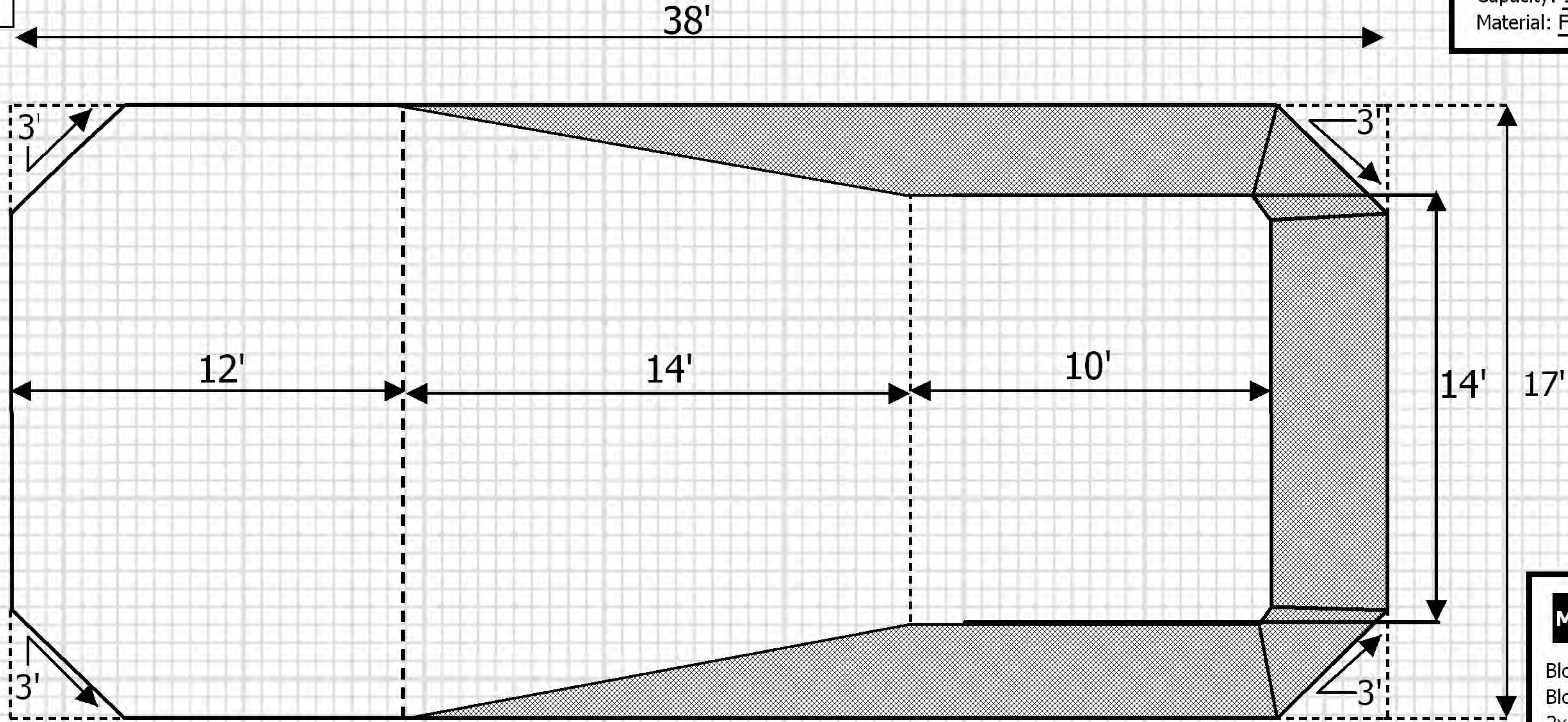


Atlantic Dig Diagram

It is important to have your excavator call to review the dig diagram prior to any excavation (1-800-305-5931)

Pool Specifications

Length: 37'
 Width: 16'
 Depth: 3'5" - 8'
 Perimeter: 104'
 Square Footage: 540 Sq. Ft.
 Capacity: 17,500 Gallons
 Material: Fiberglass

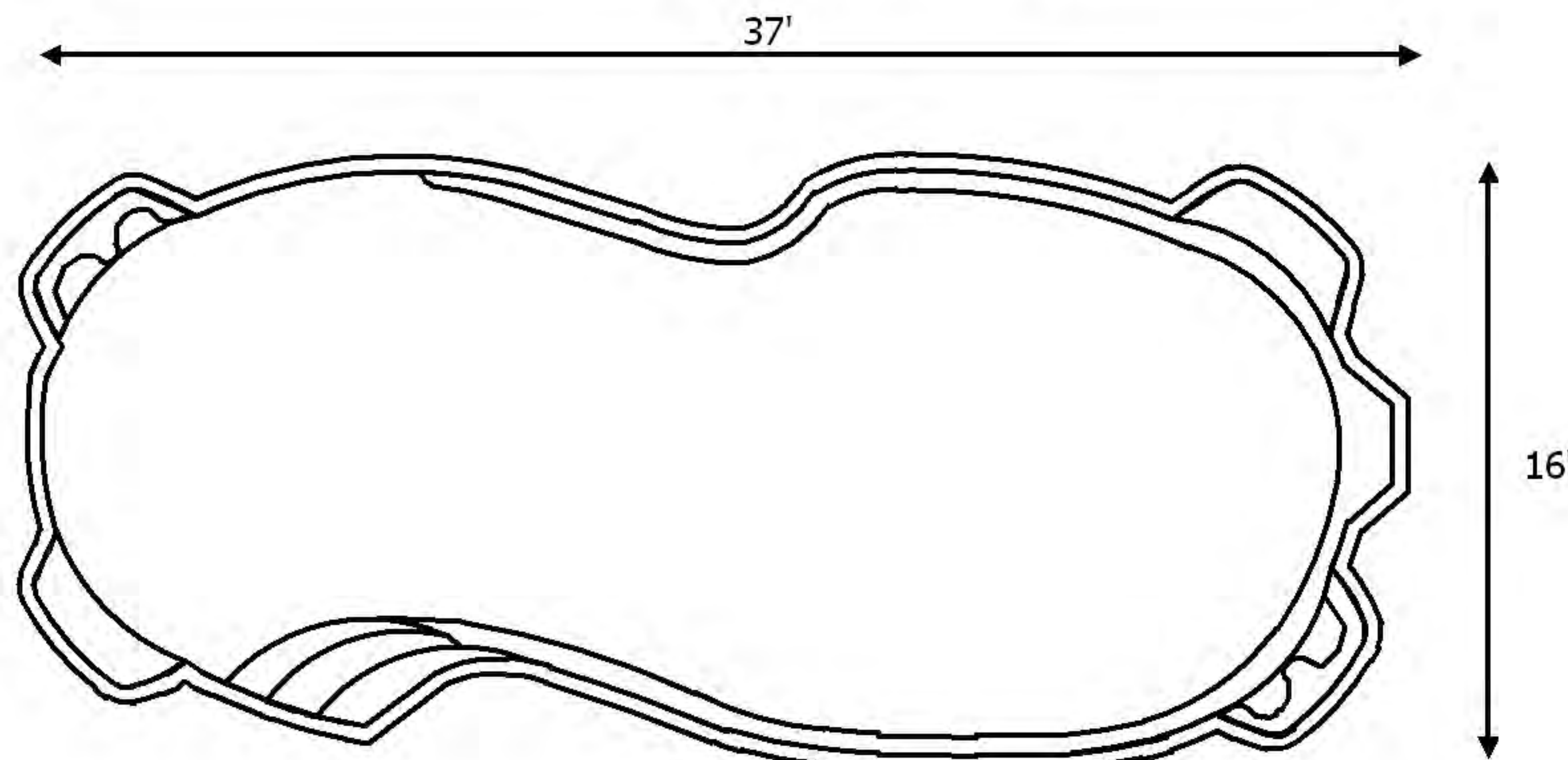


Approximate dimensions shown

Materials Needed

Block 8x8x16: 6
 Block Caps: 7
 2x4x8: 1
 4x4x8: 6

Outside Dimensions



Depth Chart

