

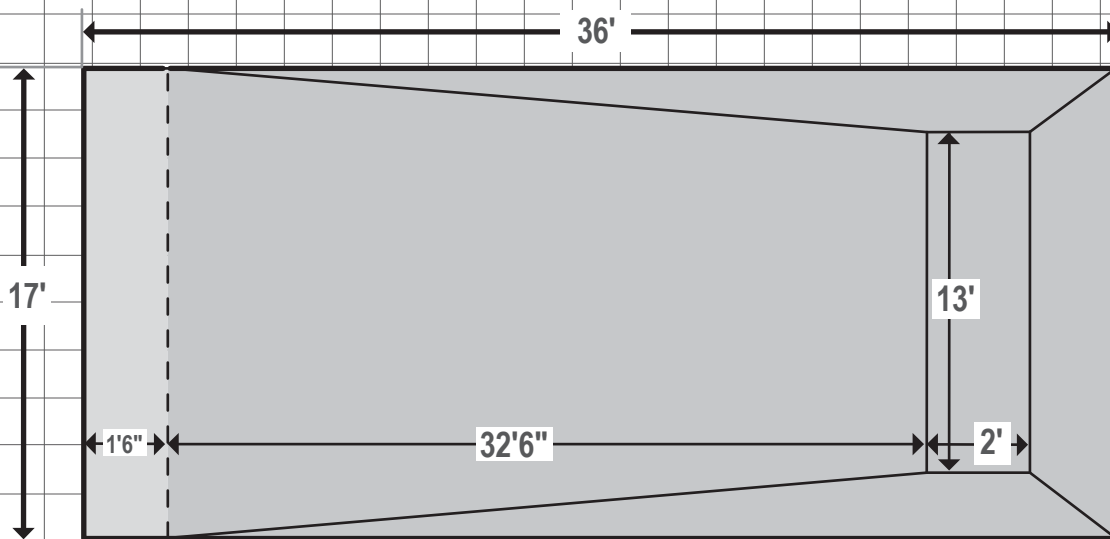
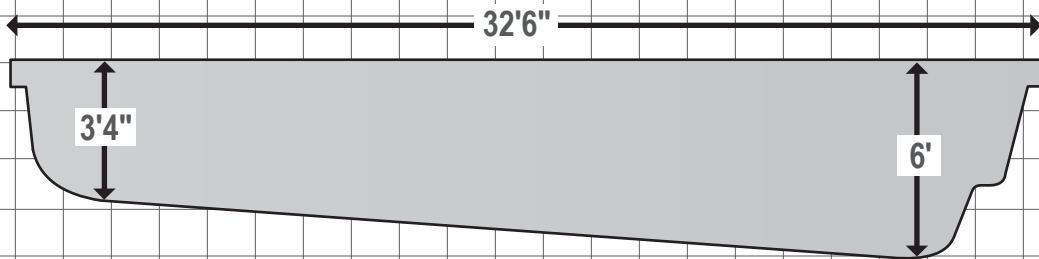
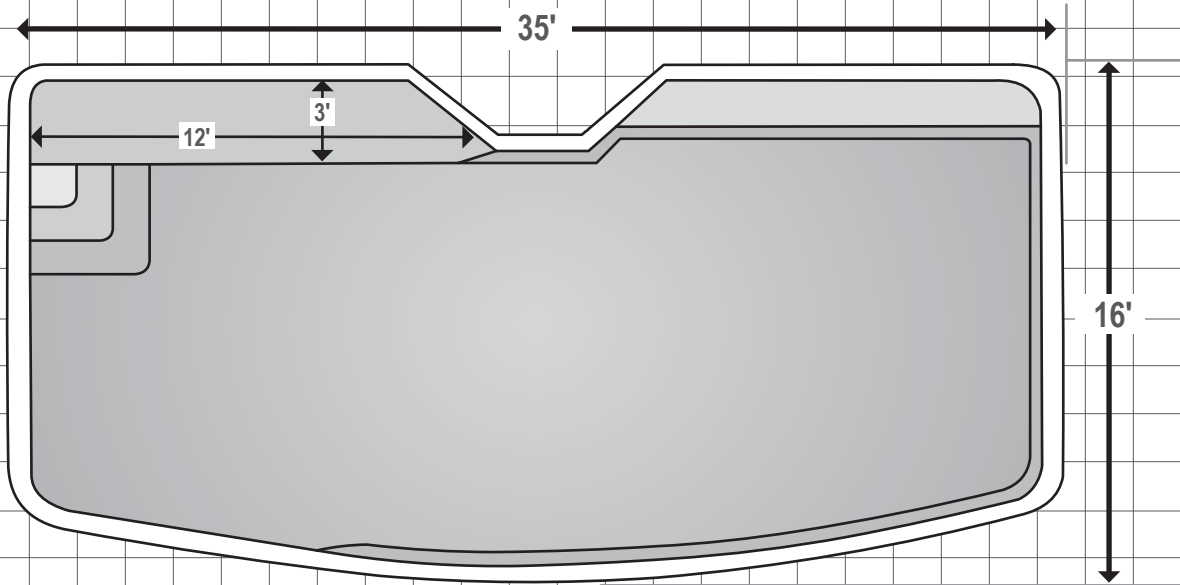
# Monaco Bay

Excavation Plans

16' x 35' • 3'4" - 6'

# Tallman Pools

1-800-305-5931



It is important to have your excavator call to review the dig diagram prior to any excavation.  
\*\*\*Approximate Dimensions Shown\*\*\*