

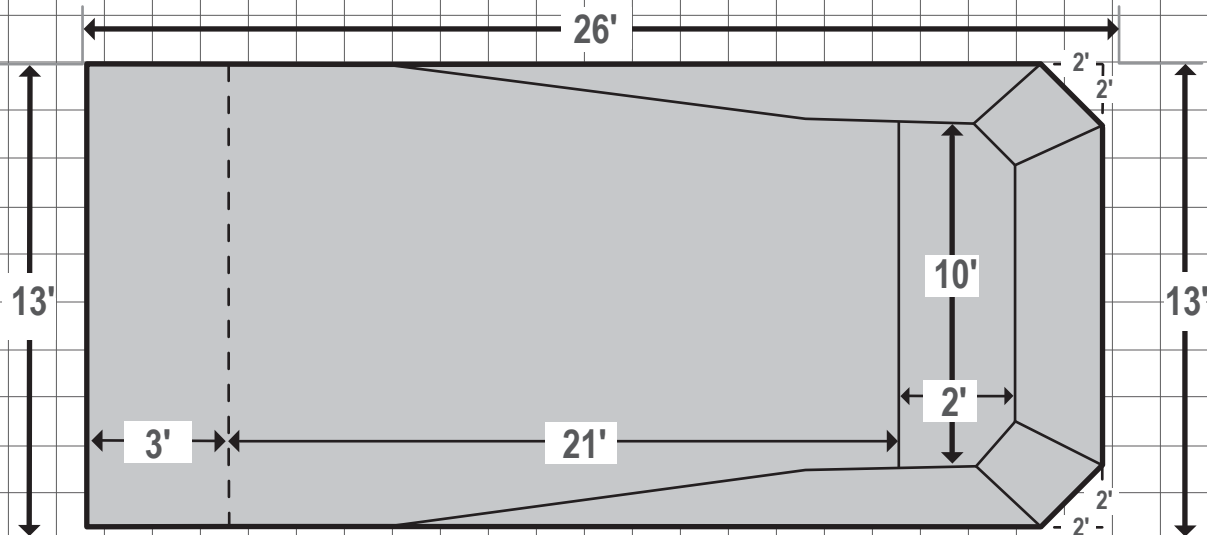
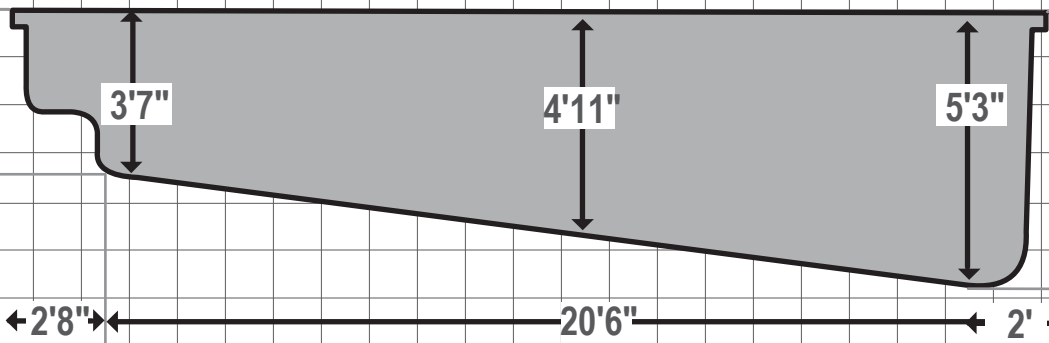
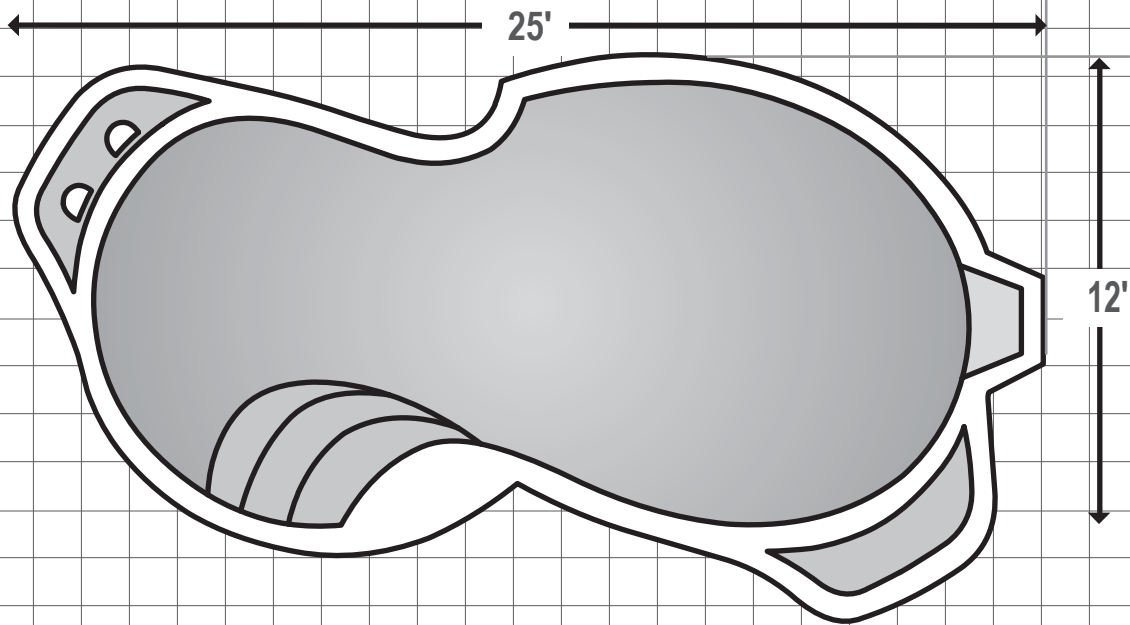
Cancun

Excavation Plans

12' x 25' • 3' 6" - 5' 6"

Tallman Pools

1-800-305-5931



It is important to have your excavator call to review the dig diagram prior to any excavation.
Approximate Dimensions Shown